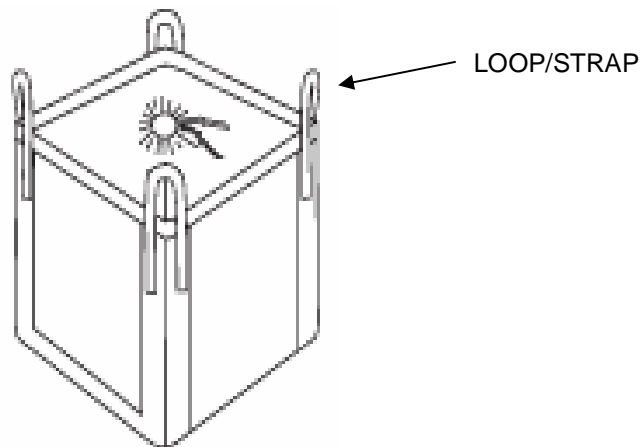


IMPORTANT BULK BAG HANDLING INSTRUCTIONS: PLEASE READ

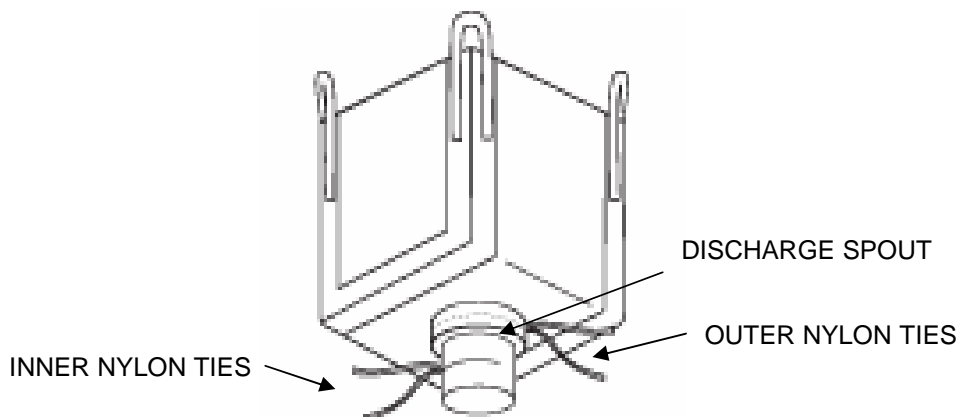
GENERAL

- Note the bag weight and ensure that the machinery used to move the material (fork lift, excavator, etc.) is designed to handle the load.
- Lift bags one at a time. Only lift from below if palletized. When lifting from above using the four reinforced loops/straps, ensure that the load is evenly distributed among all four straps.
- Heed all safety messaging on the bag manufacturer's labeling.
- The bulk bags are moisture resistant but **NOT WATER PROOF**. AquaBlok products are extremely sensitive to moisture. Always store the product under cover (either inside a building or securely under a tarp). Avoid prolonged exposure to direct sunlight and areas prone to dramatic swings in temperature and/or humidity, whenever possible.



DISCHARGING PRODUCT

- A reinforced discharge spout is generally provided on the bottom of each bag to facilitate unloading. To gravity-drop material using this spout, first make sure that the area where the material is to be applied is clear of personnel. Then securely lift the bag using the four lifting loops (see above), center the spout over the target location, untie the nylon ties securing the outer spout cover, and finally untie the inner spout ties. The weight of the material will allow the product to flow. (BE AWARE THAT THE PRODUCT OFTEN DISCHARGES QUICKLY)
- If material bridges at the spout, push on the bottom corners of the bag.
- To cut off the flow of the material (before the bag is completely empty), the spout can be temporarily pinched shut.
- If a bulk bag does not include a tied spout, then a 6-8" diameter "C-shaped" cut can be made in the bottom of the bag to facilitate unloading. However, once the bag is cut open, it is important to understand that material flow cannot be stopped until the bag is nearly empty.
- Always use caution when working near loaded bulk bags.



Revised June 10, 2009