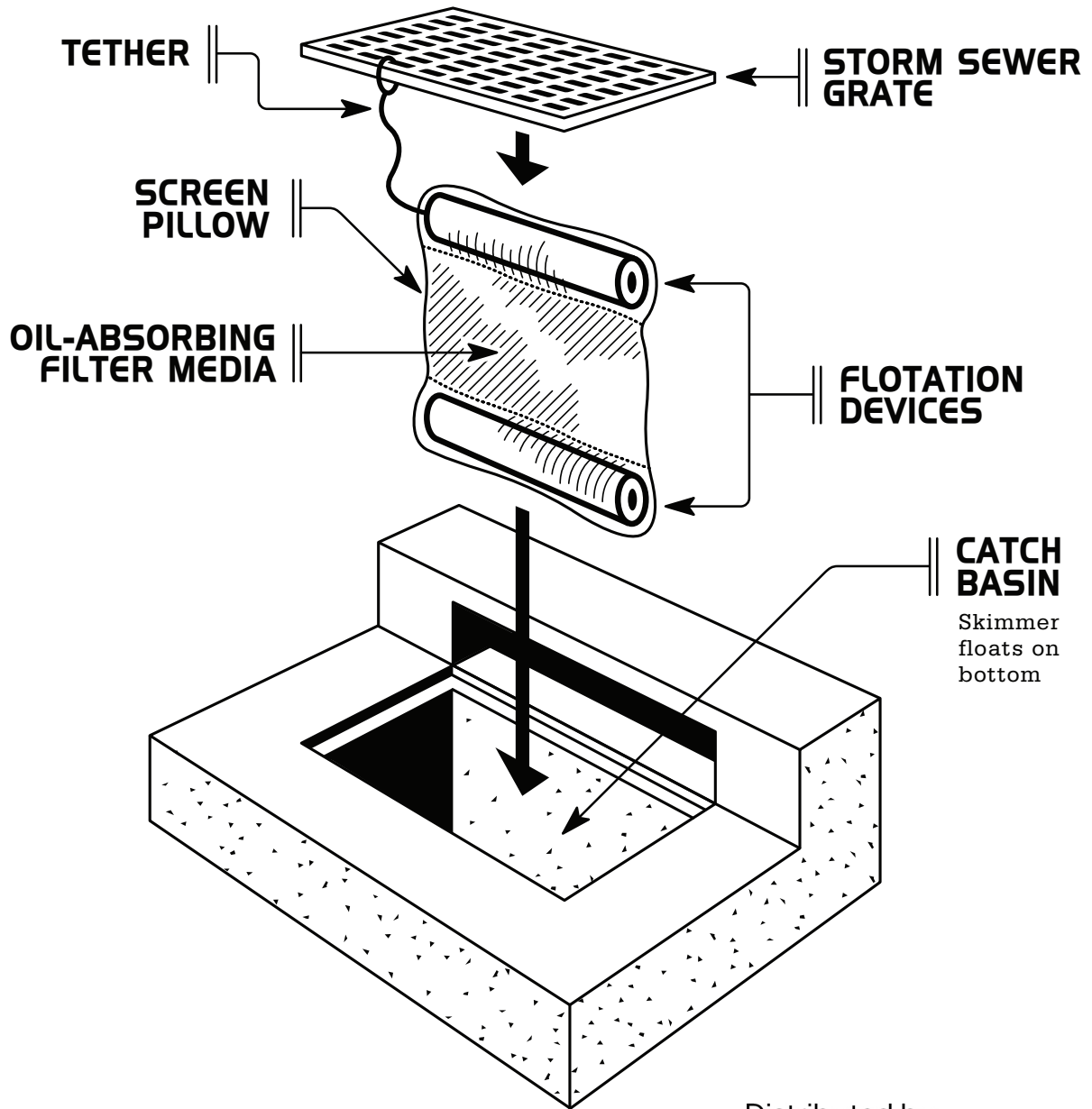


▶ **DANDY SKIMMER™** ◀



Distributed by:



www.cascadegeos.com  
971-339-1020