



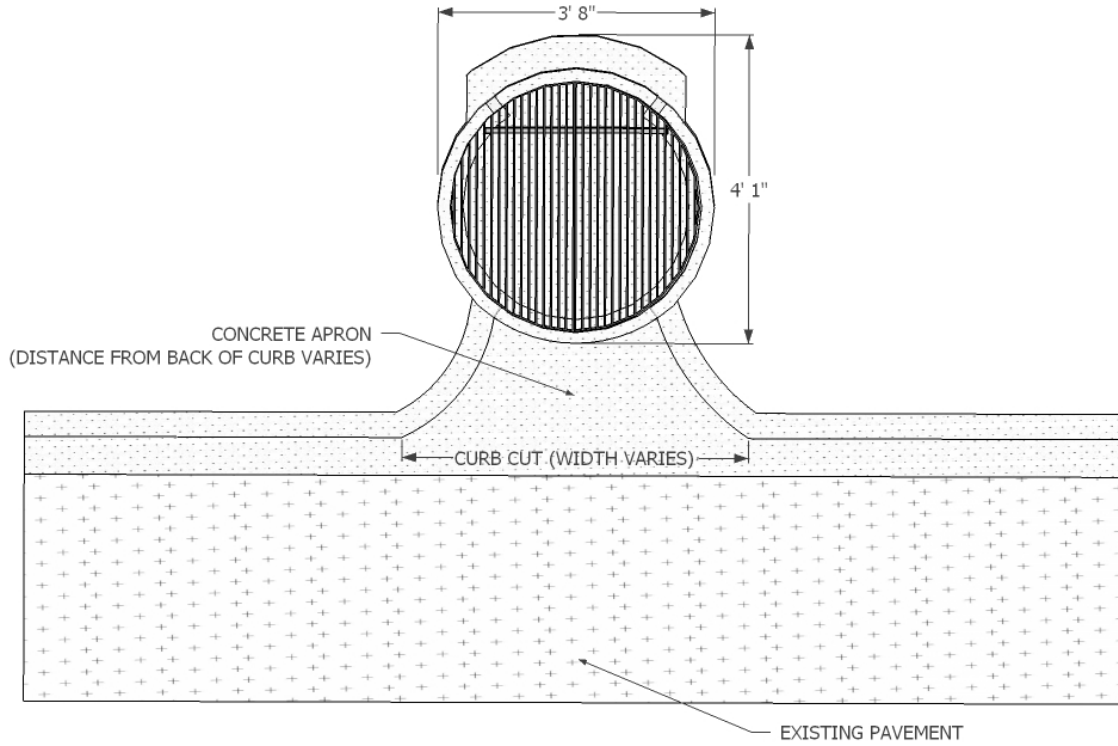
TURRET TYPICAL DETAIL

Distributed by:
Cascade
GEOSYNTHETICS
www.cascadegeos.com
971-339-1020



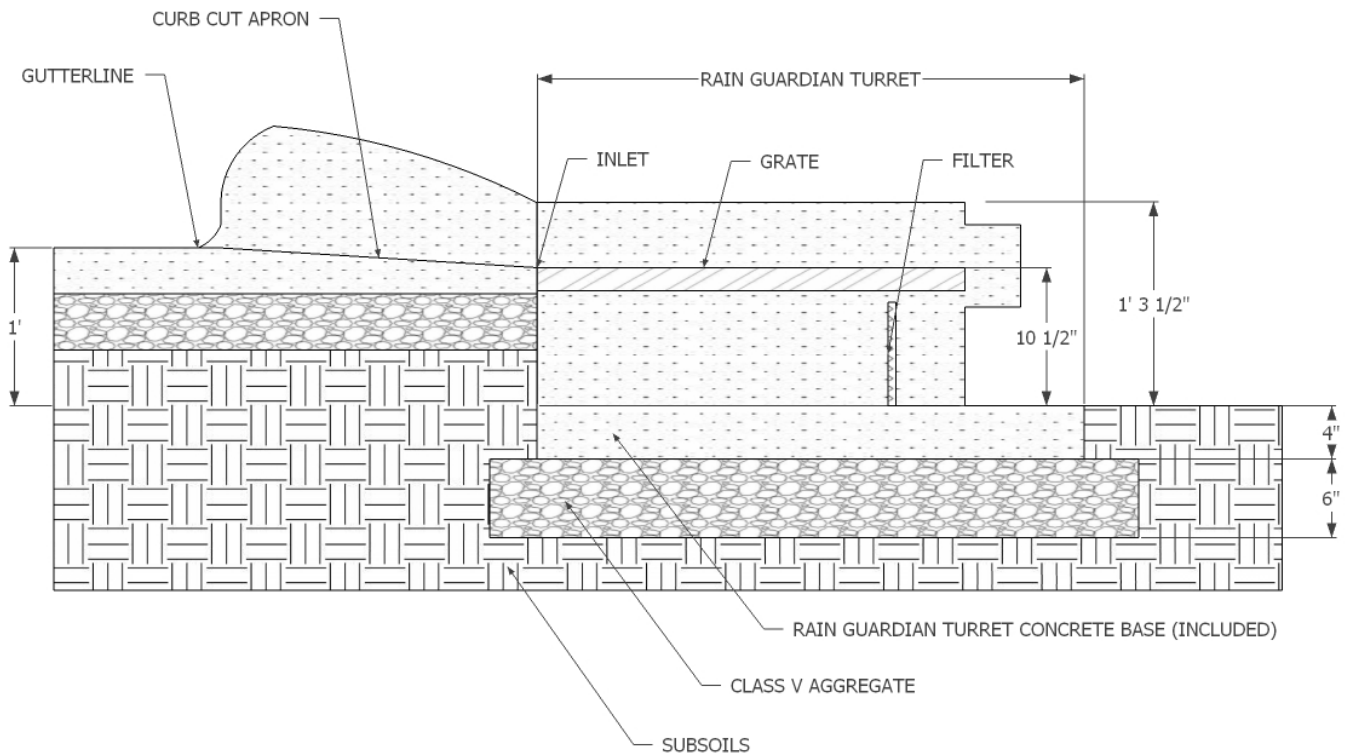
PLAN VIEW

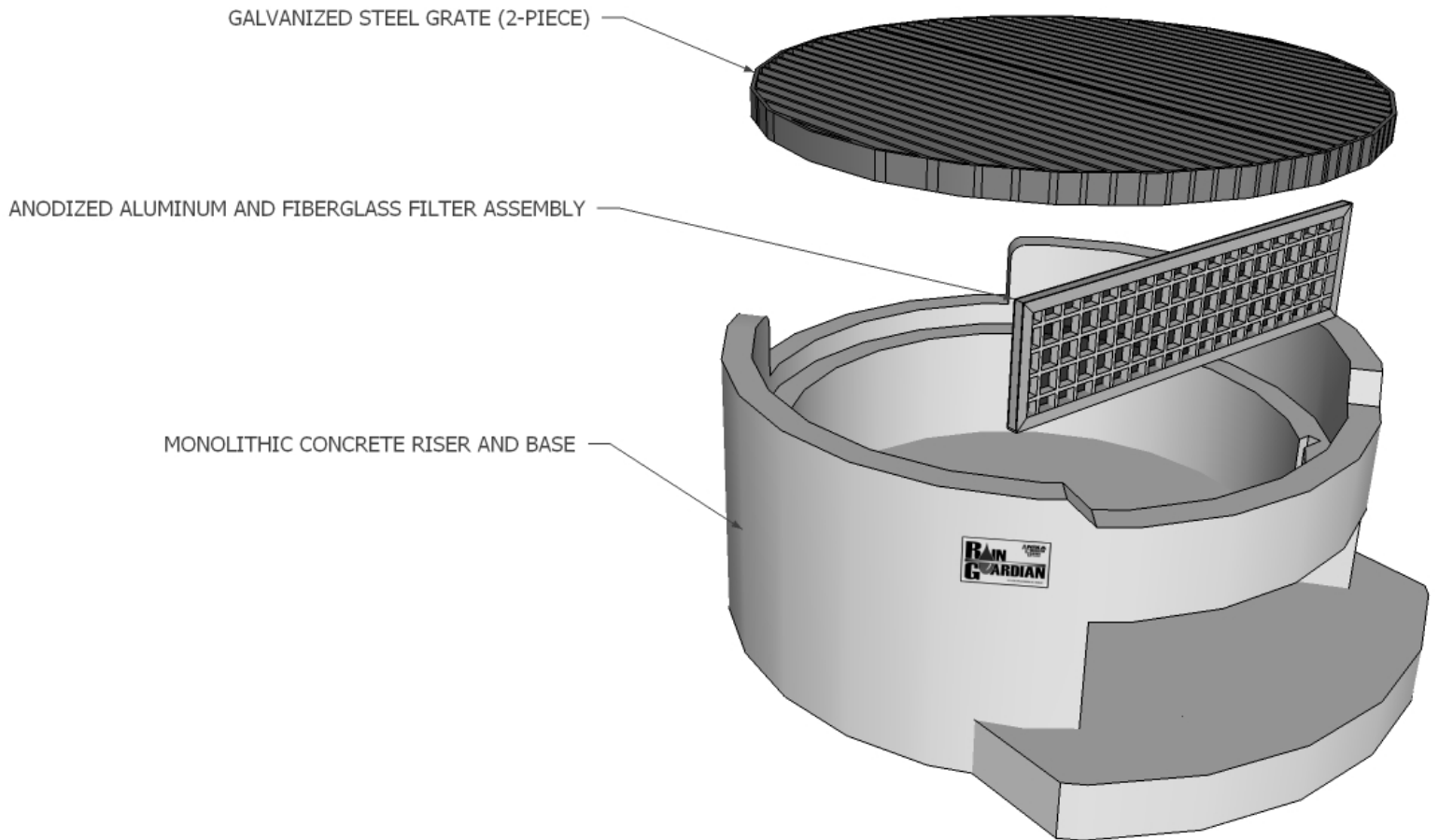
U.S. PATENT NO. 8,501,016



CROSS-SECTION VIEW

U.S. PATENT NO. 8,501,016





SPECIFICATIONS

1. STEEL REINFORCED, COLD JOINT SECURED MONOLITHIC CONCRETE STRUCTURE (1,030 LBS).
2. CONCRETE SHALL HAVE A MINIMUM COMPRESSIVE STRENGTH OF 4,000 PSI AT 28 DAYS. CONCRETE AIR ENTRAINED (4% TO 8% BY VOLUME).
3. MANUFACTURED AND DESIGNED TO ASTM C858.
4. THREE-POINT PICK USING RECESSED LIFTING POCKETS WITH A STANDARD HOOK.
5. SOIL UNDER BASE TO BE COMPACTED TO 95% STANDARD PROCTOR.
6. TWO-PIECE LIGHT DUTY GALVANIZED GRATE (34.5 LBS/PIECE) FOR 541 LB CONCENTRATED LOAD OR 309 LB/SQ FT UNIFORM LOAD.
7. TWO-PIECE HEAVY DUTY GALVANIZED GRATE (77.5 LBS/PIECE) FOR 2,456 LB CONCENTRATED LOAD OR 1,404 LB/SQ FT UNIFORM LOAD.
8. USE EXPANSION JOINT MATERIAL BETWEEN TURRET AND BIORETENTION INLET